

Awarded by



ANCHOR BOLT FIXING



- ❑ Anchor is a device, normally made of metal.
- ❑ A bolt is a form of threaded fastener with an external male thread.
- ❑ **Anchor Bolt** is a fastener used to attach or fix object or structure to stone.
- ❑ Anchor bolts are extensively used on all types of construction projects, in both temporary and permanent applications.

❑ Tech Data :-

- Environment condition :-
Indoor & dry condition.
- Material chemistry :-
Steel, zinc plated.
- Material, corrosion :-
Steel, zinc plated.

❑ Application :-

- Suitable for fastenings in concrete and masonry in combination with the relevant ICFS inject able chemical mortar.

❑ Features :-

- All our Mechanical Anchors are provided with an impact section so that the threads are not damaged during installation.
- They are assembled along with a Standard nut and washer.
- Maintains superior Edge and Axial distance.

<http://www.indospark.com/iscs-services.html>

Awarded by

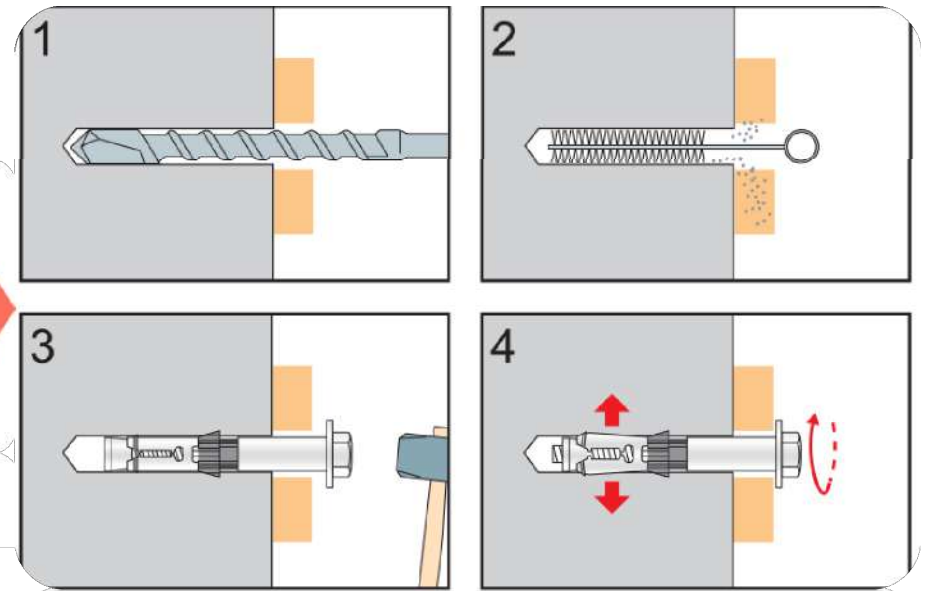


Installation Procedure :-

Drill a hole in the concrete. 12mm hole for a M12 Bolt/ 16mm for a M16 Bolt & so on.

Clean the hole thoroughly with a blow pump & wire brush.

Insert the Wedge Anchor using a hammer, place the washer & tighten the Nut.



Applications:-

Anchor Bolt Fixing



<https://youtu.be/kxlhs61iQTc>